

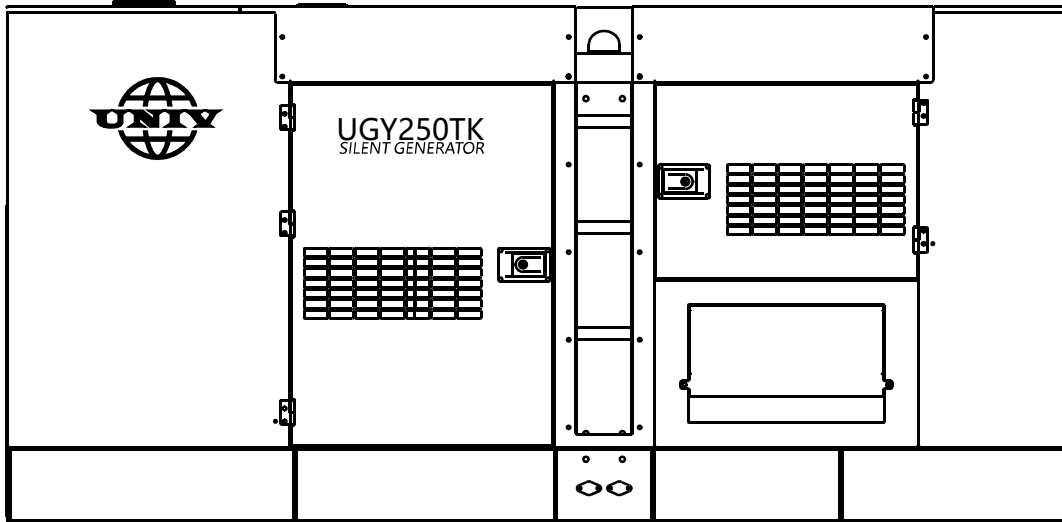


# UGY250TK

## UNIVPOWER SILENT SERIES

### POWER OUTPUT

Prime Rating — 200 kW (250 kVA)  
 Standby Rating — 220 kW (275 kVA)  
 3-Phase, 50 Hertz, 0.8 PF



### STANDARD FEATURES

- Heavy duty, 4-cycle, variable speed fan, diesel engine provides maximum reliability.
- Brushless alternator reduces service and maintenance requirements. Class H protection.
  - Open delta alternator design provides virtually unlimited excitation for maximum motor starting capability.
  - Automatic voltage regulator (AVR) provides precise regulation.
- Electronic governor system maintains frequency to  $\pm 0.25\%$ .
- Full load acceptance of standby nameplate rating in one step
- Soundproof, weather resistant, steel housing provides operation at 76dB (A) at 7meters. Fully lockable enclosure allows safety operation. Outdoor operation available.
- Internal fuel tank with direct observing glass, and fuel level meter display on control panel  
E-coat and powder coat paint provides durability and weather protection.
- Digital engine gauges including oil pressure, water temperature, battery volts, engine speed, and fuel level.
- Analog generator instrumentation including Ampere meter,
- Voltage meter, frequency meter, ammeter phase selector switch, voltmeter phase selector switch. Analog generator instrumentation and regulator adjustment.
- Deepsea/Comap professional generator controller.
  - High visibility LCD display with heated screen and alphanumeric readout.
  - IP65 Protection standard, operational temperature range of -40° to 85° C.
  - Modbus interface for gauge panel and expansion options.
  - DPF cleaning cycle indication.
  - Log record for inspection
- Automatic safety shutdown system monitors the water temperature, engine oil pressure, low coolant, low DEF, overspeed, and overcrank. Warning lights indicate abnormal conditions.
- Fuel/water separator. Removes condensation from fuel for extended engine life.
- Emergency stop switch — when manually activated, shuts down in any emergency.

### UNIVPOWER SILENT SERIES

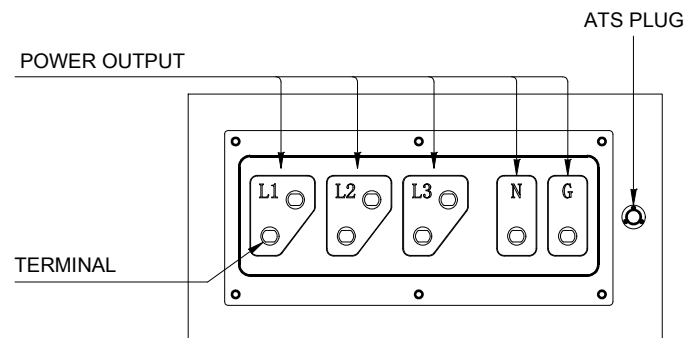
#### UNIV POWER DECIBEL LEVELS

Normal conversation allows substantially lower operating noise levels than competitive designs. UNIVGensets are at home on construction sites, in residential neighborhoods, and at hospitals just about anywhere.

- 90 — Subway / truck traffic
- 80 — Average city traffic  
→ UNIVGenset at 7m
- 70 — Inside car at 60 mph
- 60 — Air conditioner at 6m
- 50 — Normal conversation

**76.0**  
DECIBELS

### GENERATOR OUTPUT PANEL





# UGY250TK

## UNIVPOWER SILENT SERIES

### SPECIFICATIONS

Generator Specifications	
Model	Revolving field, self-ventilated weatherproof
Armature Connection	Star with Neutral
Phase	3
Standby Output	220KW (275KVA)
Prime Output	200KW (200 KVA)
Power Factor	0.8
Voltage Regulation (No load to full load)	±0.5%
Generator RPM	1500
Frequency	50 Hz
No. of Poles	4
Excitation	Brushless with AVR
Frequency Regulation: No Load to Full Load	Isochronous under varying loads from no load to 100% rated load
Frequency Regulation: Steady State	±0.25% of mean value for constant loads from no load to full load.
Insulation	Class H
Sound Level dB(A) Full load at 7M	76

Amperage	
Rated Voltage	Maximum Amps
3Ø Volt 480/277	300.8 Amps
3Ø Volt 460/266	314.0 Amps
3Ø Volt 400/230	361.0 Amps
3Ø Volt 127/220	657.9 Amps
Main Line Circuit Breaker Rating	400 Amps
Over Current Relay Trip Set Point 400V Mode Only	450 Amps

Fuel System	
Maximum Fuel Flow (per hour)	23.7 gallons (90 liters)
Fuel Tank Capacity	76.6 gallons (290 liters)
Fuel Consumption	L / h
At full load	53
At 3/4 load	39
At 1/2 load	27
At 1/4 load	15

Control system	
Controller Brand	Deepsea
Model	DSE4520
Module	Manual/Auto start/stop module
Standard function	Engine control
	Generator monitoring
	Generator protection
	Specification
Display	Frequency
	Battery voltage
	Running hour
Warning/shutdown	under/over voltage
	under/over speed
	under/over frequency
	Low oil pressure
	High water temperature
Communication port	USB

Engine Specifications	
Make / Model	YTO / YM6S4L-D
Emissions	EU Stagell standard
Starting System	Electric
Design	4-cycle, water cooled, direct injection, natural intake air cooled
Displacement	9.726 liters
No. cylinders	6
Bore x Stroke	126 x 130 mm
Gross Engine Power Output	321.7 hp (235 kW)
Compression Ratio	16.5 : 1
Engine Speed	1500 rpm
Overspeed Limit	1725rpm
Oil Capacity	7.29 gallons (27.6 liters)
Coolant Capacity	10.83 gallons (41 liters)
Battery	24V 100Ah x 2

Alternator	
Alternator Brand	KWISE
Alternator Model	S274G200E11
Excitation	Brushless, Self-Excited system
Capacity(KVA)	250kva
Power(KW)	200kw
Efficiency(%)	90%
Insulation class	Class H
Protection class	Ip23
Steady state voltage regulation	±1%
Voltage control	AVR

### WARRANTY\*

#### Generator

12 months from date of purchase or 1000 hours (whichever occurs first).

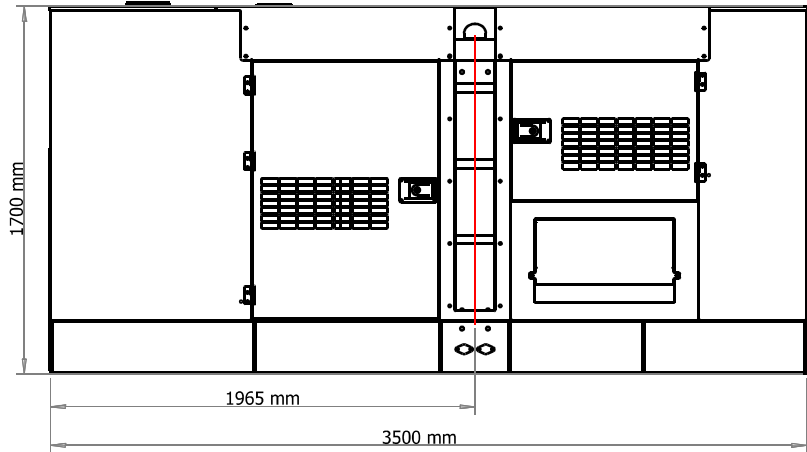
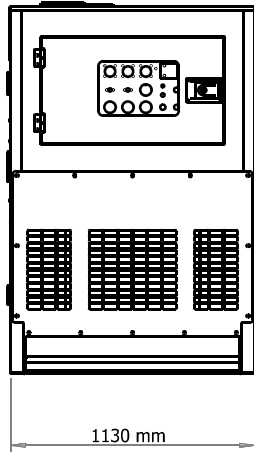
### NOTICE

Enough Air flow is extremely important to Generator operation. Improper connection can cause electrocution and/or property damage. Do not connect to any electrical system except through an approved device. Specifications are subject to change without notice.

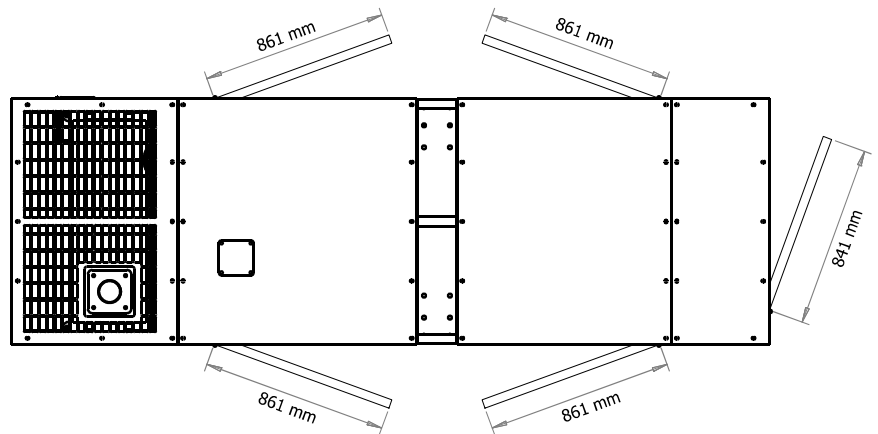


# UGY250TK

## UNIVPOWER SILENT SERIES



Weight	
Dry Weight	2,650 kg
Wet Weight	2,930 kg
Max. Lifting Point capacity	5,860 kg



Manufactured by  
**Zhejiang Universal Machinery Co., Ltd**  
Add: No 18-9 Nanshan Road, Qujiang Zone,  
Quzhou city, Zhejiang Province, CN  
Tel: 0086-570-3377085  
Fax: 0086-570-3377086  
Website: [www.univpower.com](http://www.univpower.com)